

# Z1 - Anbaugehäuse

## Z1 - Connection housing



Die Anbaugehäuse werden für die werkzeugseitige Verkabelung verwendet.

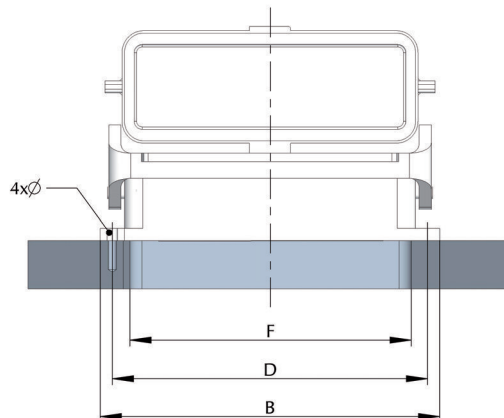
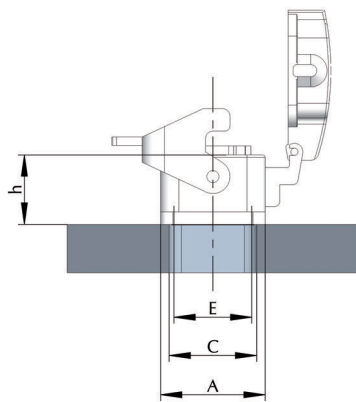
*Connection housings are used for mould-side cabling.*

### HINWEISE:

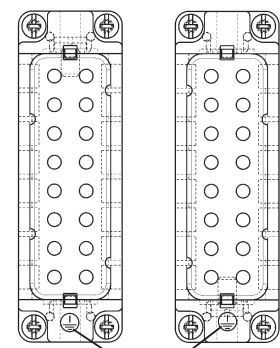
- die Anbaugehäuse werden auf das Werkzeug mit 4 Schrauben angebracht
- Z1ST-4 – 16 und Z1TH-4 – 16 haben jeweils eine Verriegelung
- Z1ST-32 und Z1TH-32 haben jeweils zwei Verriegelungen

### NOTE:

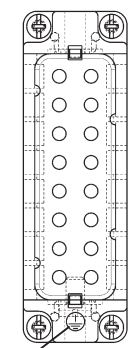
- Connection housings are attached to the mould with four screws
- Z1ST-4 – 16 and Z1TH-4 – 16 each have one lock
- Z1ST-32 and Z1TH-32 each have two locks



Stifteinsatz  
Pin insert



Buchseinsatz  
Bushing insert



Bestell-Nr.	Anbaugehäuse Strom	für max.	A	B	C	D	E	F	ø	h
Order No.	<b>Power connection housing</b>	for max.								
Z1ST-4	4-polig / Stifteinsatz / max.10A <i>4-poles/pin insert/max. 10 A</i>	2 Zonen <i>2 zones</i>	40,0	29,0	21,0	-	30,0	21,0	3,3	23,0
Z1ST-10	10-polig / Stifteinsatz / max.16A <i>10-poles/pin insert/max. 16 A</i>	5 Zonen <i>5 zones</i>	31,0	81,0	23,0	70,0	17,5	55,0	3,4	26,0
Z1ST-16	16-polig / Stifteinsatz / max.16A <i>16-poles/pin insert/max. 16 A</i>	8 Zonen <i>8 zones</i>	43,0	113,0	28,0	103,0	32,0	78,0	4,5	28,0
Z1ST-24	24-polig / Stifteinsatz / max.16A <i>24-poles/pin insert/max. 16 A</i>	12 Zonen <i>12 zones</i>	43,0	140,0	28,0	130,0	32,0	105,0	4,5	28,0
Z1ST-32	32-polig / Stifteinsatz / max.16A <i>32-poles/pin insert/max. 16 A</i>	16 Zonen <i>16 zones</i>	56,0	102,0	50,0	92,0	42,0	72,0	4,3	26,0

Bestell-Nr.	Anbaugehäuse Thermo	für max.	A	B	C	D	E	F	ø	h
Order No.	<b>Thermal connection housing</b>	for max.								
Z1TH-4	4-polig / Buchseinsatz / max.10A <i>4-poles/bushing insert/max. 10 A</i>	2 Zonen <i>2 zones</i>	40,0	29,0	21,0	-	30,0	21,0	3,3	23,0
Z1TH-10	10-polig / Buchseinsatz / max.16A <i>10-poles/bushing insert/max. 16 A</i>	5 Zonen <i>5 zones</i>	31,0	81,0	23,0	70,0	17,5	55,0	3,4	26,0
Z1TH-16	16-polig / Buchseinsatz / max.16A <i>16-poles/bushing insert/max. 16 A</i>	8 Zonen <i>8 zones</i>	31,0	96,0	23,0	86,0	17,5	72,0	3,4	26,0
Z1TH-32	32-polig / Buchseinsatz / max.16A <i>32-poles/bushing insert/max. 16 A</i>	16 Zonen <i>16 zones</i>	56,0	102,0	50,0	92,0	42,0	72,0	4,3	26,0

Alle Angaben in mm  
*All specifications in mm*